



Technical Standards and Safety Authority
 345 Carlingview Drive
 Toronto, Ontario M9W 6N9
 Tel: 416.734.3300
 Fax: 416.231.4078
 Customer Service: 1.877.682.8772
 propane@tssa.org
 www.tssa.org

Intake Group

OCT 16 2018

Level 1 Risk and Safety Management Plan (RSMP)
 Technical Standards and Safety Act
 Propane Storage and Handling Regulation

This Level 1 RSMP applies to:

- a facility with a total propane storage capacity of 5,000 USWG or less; or
- a facility with a fixed propane storage capacity of exactly 5,000 USWG and no more than 500 USWG of portable propane storage capacity on site.

RECEIVED

Failure to fully complete this form may result in rejection.
 Making a false statement may result in a fine or prosecution
 under the Technical Standards and Safety Act

For Office Use Only

Licence Number

Check applicable type of propane operations.

Cylinder Motor Fill Filling Plant Card/Keylock

Submit along with this completed application a Facility Site Plan and a Map of the Surrounding Area.

SECTION A: GENERAL INFORMATION

The Undersigned applies to TSSA for a review for an RSMP under Ontario's Technical Standards and Safety Act, Propane Storage and Handling Regulation.

Company Name: POPULAR CAR WASH Corporation No.

Operator Name (if different from above): GURMAN GAS & CAR WASH INC.

Telephone No.: 647-405-7741 Fax No. E-mail: JOLLY@POPULARCARWASH.CA

Street No.: 305 Street Name / 911 Number / Address, if applicable: REXDALE BLVD

Town / City or Township / County: ETOBICOKE Province: ONTARIO Postal Code: M9W 1R8

Mailing address if different from above.

Street No. Street Name / 911 Number / Address, if applicable

Town / City or Township / County Province Postal Code

Information on Container Refill Centre or Filling Plant

Location of facility.

Street No.: 305 Street Name / 911 Number / Address, if applicable: REXDALE BLVD Nearest Major Intersection: REXDALE & MARTIN GROVE

Town / City or Township / County: ETOBICOKE Province: ONTARIO Postal Code: M9W 1R8

Name of Licence Holder: NIRPREET (JOLLY) THIND

Name of a Senior Management person as defined in the regulation holding the Record of Training (ROT): JOLLY THIND ROT type: 100-02, 100-11

Municipality (or municipalities if the facility or its hazard distance touches multiple borders): ETOBICOKE (CITY OF TORONTO)

Hours of operation.

This document is valid until the next licence renewal date. You are required by law to notify TSSA of any change of information.

Declaration: I am aware that it is an offence to give false information in this document and I hereby declare that the information I have given here is true and complete.

Print name	Signature	Date (dd-mm-yyyy)
Name of Licence Holder: JOLLY THIND		10-10-2018
Name of Senior Management person as defined in the Regulation holding the Record of Training: JOLLY THIND		10-10-2018



Technical Standards and Safety Authority
 345 Carlingview Drive
 Toronto, Ontario M9W 6N9
 Tel: 416.734.3300
 Fax: 416.231.4078
 Customer Service: 1.877.682.8772
 propane@tssa.org
 www.tssa.org

Level 1 Risk and Safety Management Plan (RSMP)
Technical Standards and Safety Act
 Propane Storage and Handling Regulation

SECTION A: GENERAL INFORMATION (cont'd)

Indicate the year the facility was established. 2015 Indicate the year of any significant modifications, as defined in s.1, O.Reg 211/01, since establishment.
JUNE 2017 - ADDED CYLINDER FILLING


Identify the psig rating and serial number for each fixed propane storage tank on site.

	PSIG	Serial Number
Tank 1:	<u>250</u>	<u>84.S.16</u>
Tank 2:	<u> </u>	<u>CRN# K5746.5</u>
Tank 3:	<u> </u>	<u>YEAR 1993 WELDEX</u>

Enter capacity of propane in USWG, fixed, portable, and mobile, and provide detailed inventory that includes the number of tank/vessel for each type (fixed, portable, and mobile) and the capacity of each tank/vessel, on a separate document.

Fixed: 5000 USWG Portable: 0 Mobile: 0

Declaration: I am aware that it is an offence to give false information in this document and I hereby declare that the information I have given here is true and complete.

Name of person completing this form (please print) <u>JOLLY THIND</u>	Official Title <u>DIRECTOR</u>	
Signature 	Telephone No. <u>647-405-7741</u>	Date (dd-mmm-yyyy) <u>10-10-2018</u>



Technical Standards and Safety Authority
 345 Carlingview Drive
 Toronto, Ontario M9W 6N9
 Tel: 416.734.3300
 Fax: 416.231.4078
 Customer Service: 1.877.682.8772
 propane@tssa.org
 www.tssa.org

Level 1 Risk and Safety Management Plan (RSMP)
Technical Standards and Safety Act
 Propane Storage and Handling Regulation

SECTION A: GENERAL INFORMATION (cont'd)

Activity Information

Name of Propane Supplier(s) SUPERIOR PROPANE -BOLTON BRANCH		For Office Use - Party No.	
Street No. 1	Street Name / 911 Number / Address, if applicable BETOMAT COURT		
Town / City or Township / Country BOLTON		Province ONTARIO	Postal Code L7E 5T3
Telephone No. 905-857-1471	Fax No. 905-857-1491	Contact Name HUGH SUTHERLAND	
E-mail HUGH_SUTHERLAND@SUPERIORPROPANE.COM			

Name of Propane Transporter. If same as above, please check box. <input type="checkbox"/>		For Office Use - Party No.	
Street No.	Street Name / 911 Number / Address, if applicable		
Town / City or Township / Country		Province	Postal Code
Telephone No.	Fax No.	Contact Name	
E-mail			

Off-site Cylinder and/or Mobile Storage		Capacity stored off-site, in USWG	For Office Use - Party No.
Street No.	Street Name / 911 Number / Address, if applicable		
Town / City or Township / Country		Province	Postal Code
Telephone No.	Fax No.	Contact Name	

Note: Customer storage is not considered off-site storage.

Declaration: I am aware that it is an offence to give false information in this document and I hereby declare that the information I have given here is true and complete.

Name of person completing this form (please print) JOLLY THIND	Official Title DIRECTOR
Signature 	Telephone No. 647-405-7741
	Date (dd-mmm-yyyy) 10-10-2018



Technical Standards and Safety Authority
 345 Carlingview Drive
 Toronto, Ontario M9W 6N9
 Tel: 416.734.3300
 Fax: 416.231.4078
 Customer Service: 1.877.682.8772
 propane@tssa.org
 www.tssa.org

Level 1 Risk and Safety Management Plan (RSMP)
Technical Standards and Safety Act
 Propane Storage and Handling Regulation

SECTION B: EMERGENCY AND PREPAREDNESS RESPONSE PLAN

The licence holder will complete Section B in consultation with the local Fire Services.

Description of the maximum volume, types and storage location of other hazardous materials on site, if any.

45,000 LITRES OF DIESEL

135,000 LITRES OF GASOLINE

Description of fire and emergency equipment indicated on facility site map.

6 X 10LB ABC FIRE EXTINGUISHERS

1 X 10LB ABC EXTINGUISHER AT THE PROPANE DISPENSER

TOTAL 7 X FIRE EXTINGUISHERS

List of fire protection controls (e.g., fire detection systems, fire notification systems, alarm systems, automatic shut off devices, fusible links, etc.) and describe their function, use and operation.

SMOKE DETECTOR & ALARM IN THE OFFICE, MAIN STORE TIED INTO NOTIFICATION OF FIRE DEPARTMENT & POLICE

E-STOP BUTTON AT THE DISPENSER AND AT THE MAIN STORE WALL TO SHUT OFF THE PROPANE

Maintenance and testing schedule for fire protection controls and devices.

FIRE PROTECTION CONTRACTED BY - ~~HYLAND FIRE~~ *NORTHERN ACADEMY FIRE PROTECT* - INSPECTION IS SCHEDULED ANNUALLY IN JULY

MONTHLY SCHEDULE WILL BE IN PLACE FOR ESSO STAFF TO INSPECT FIRE EXTINGUISHERS EACH MONTH.

Declaration: I am aware that it is an offence to give false information in this document and I hereby declare that the information I have given here is true and complete.

Name of person completing this form (please print) JOLLY THIND	Official Title DIRECTOR
Signature 	Telephone No. 647-405-7741
	Date (dd-mmm-yyyy) 10/9/18



Technical Standards and Safety Authority
 345 Carlingview Drive
 Toronto, Ontario M9W 6N9
 Tel: 416.734.3300
 Fax: 416.231.4078
 Customer Service: 1.877.682.8772
 propaneLICensing@tssa.org
 www.tssa.org

Level 1 Risk and Safety Management Plan (RSMP)
Technical Standards and Safety Act
Propane Storage and Handling Regulation

SECTION B: EMERGENCY AND PREPAREDNESS RESPONSE PLAN (cont'd)

1. Contacts for Emergency Response

1. Facility Contact Personnel - Key Contact		5. Facility 24-Hour Contact Person	
Name JOLLY THIND	For Office Use - Party No.	Name	For Office Use - Party No.
Official Title DIRECTOR		Official Title	
Telephone No. 647-405-7741	Fax No.	Cell No.	Fax No.
E-mail JOLLY@POPULARCARWASH.CA		E-mail	
Role and responsibilities in emergency SITE LIASON		Role and responsibilities in emergency	
2. Facility Contact Personnel - Alternate Contact		6. Name of Facility Manager	
Name	For Office Use - Party No.	Name SAME AS FACILITY CONTACT	For Office Use - Party No.
Official Title		Official Title	
Telephone No.	Fax No.	Telephone No.	Fax No.
E-mail		E-mail	
Role and responsibilities in emergency		Role and responsibilities in emergency	
3. Local Fire Services - Key Contact		7. Propane Supplier Key Contact Person	
Name GLEN MISIURSKI	For Office Use - Party No.	Name Paul Kennedy	For Office Use - Party No.
Official Title DISTRICT CHEIF	E-mail GMISI@TORONTO.CA	Official Title Market Manager	E-mail paul_kennedy@superiorpropane.com
Telephone No. 416-338-9451	Fax No. 905-338-9461	Telephone No. 905-857-1471	Fax No.
Role and responsibilities in emergency FORMAL CONTACT		Role and responsibilities in emergency NOT AVAILABLE IN AN EMERGENCY - CALL 1-877-SUPERIOR	
Fire Services Address WEST DIVISION TORONTO - ETOBICOKE CENTRE - 399 THE WEST MALL		Propane Supplier Address 1 BETOMAT COURT, BOLTON, ONTARIO L7E 2V9	
4. Local Fire Services - Alternate Contact		8. Municipal Contact	
Name <i>Derek Collins</i>	For Office Use - Party No.	Name STAN BELANDINELLI	For Office Use - Party No.
Official Title DIVISION CHEIF FIRE PREVENTION	E-mail <i>Derek.collins</i>	Official Title ZONING EXAMINER	
Telephone No. 416-338-9107	Fax No. <i>ETORONTO.CA</i>	Telephone No. 416-394-8240	Fax No.
Role and responsibilities in emergency ALTERNATE CONTACT		E-mail SBELARDI@TORONTO.CA	
Fire Services Address 4330 DUFFERIN STREET, TORONTO ONTARIO <i>M3H 5R9</i>		Municipality Name and Address CITY OF TORONTO, 2 CIVIC CENTRE COURT, 2ND FLOOR TORONTO M9C 5A3	

Declaration: I am aware that it is an offence to give false information in this document and I hereby declare that the information I have given here is true and complete.

Name of person completing this form (please print) JOLLY THIND	Official Title DIRECTOR
Signature 	Telephone No. 647-405-7741
	Date (dd-mmm-yyyy) 10-10-2018



Technical Standards and Safety Authority
 345 Carlingview Drive
 Toronto, Ontario M9W 6N9
 Tel: 416.734.3300
 Fax: 416.231.4078
 Customer Service: 1.877.682.8772
 propane@tssa.org
 www.tssa.org

Level 1 Risk and Safety Management Plan (RSMP)
Technical Standards and Safety Act
 Propane Storage and Handling Regulation

SECTION B: EMERGENCY AND PREPAREDNESS RESPONSE PLAN (cont'd)

2. Additional Safety Measures

Describe any other measures in place at the facility that exceed the minimum Code and Standards requirements.

UPGRADED AUTOMATIC ISC VALVE FOR CAROLINE & CYLINDER #11

Declaration: I am aware that it is an offence to give false information in this document and I hereby declare that the information I have given here is true and complete.

Name of person completing this form (please print) JOLLY THIND	Official Title DIRECTOR	
Signature 	Telephone No. 647-405-7741	Date (dd-mmm-yyyy) 10/10/2018



Technical Standards and Safety Authority
 345 Carlingview Drive
 Toronto, Ontario M9W 6N9
 Tel: 416.734.3300
 Fax: 416.231.4078
 Customer Service: 1.877.682.8772
 propane@tssa.org
 www.tssa.org

Level 1 Risk and Safety Management Plan (RSMP)
Technical Standards and Safety Act
 Propane Storage and Handling Regulation

SECTION B: EMERGENCY AND PREPAREDNESS RESPONSE PLAN (cont'd)

3. Record of Emergency Training Provided - For most recent 12-month period.

Training on Emergency Response Plan and Procedures provided to facility key contacts.

Training Date (dd-mmm-yyyy) 11/17/2018	Print Name of Training Provider: Jolly Thind
	Print Name of Instructor: [Signature]
Training Date (dd-mmm-yyyy)	Print Name of Training Provider:
	Print Name of Instructor:
Training Date (dd-mmm-yyyy)	Print Name of Training Provider:
	Print Name of Instructor:

Training on the facility's Emergency Management Procedures provided to staff.

Training Date (dd-mmm-yyyy) 11/17/2018	Print Name of Training Provider: Jolly Thind
	Print Name of Instructor: [Signature]
Training Date (dd-mmm-yyyy)	Print Name of Training Provider:
	Print Name of Instructor:
Training Date (dd-mmm-yyyy)	Print Name of Training Provider:
	Print Name of Instructor:

On-site specific training provided to certificate holders / persons with Records of Training.

Training Date (dd-mmm-yyyy) 10-10-2018	Print Name of Training Provider: SUPERIOR PROPANE
	Print Name of Instructor: HUGH SUTHERLAND
Training Date (dd-mmm-yyyy)	Print Name of Training Provider:
	Print Name of Instructor:
Training Date (dd-mmm-yyyy)	Print Name of Training Provider:
	Print Name of Instructor:

Declaration: I am aware that it is an offence to give false information in this document and I hereby declare that the information I have given here is true and complete.

Name of person completing this form (please print) JOLLY THIND	Official Title DIRECTOR
Signature [Signature]	Telephone No. 647-405-7741
	Date (dd-mmm-yyyy) 10-10-2018



Technical Standards and Safety Authority
 345 Carlingview Drive
 Toronto, Ontario M9W 6N9
 Tel: 416.734.3300
 Fax: 416.231.4078
 Customer Service: 1.877.682.8772
 propane@tssa.org
 www.tssa.org

Level 1 Risk and Safety Management Plan (RSMP)
Technical Standards and Safety Act
 Propane Storage and Handling Regulation

SECTION B: EMERGENCY AND PREPAREDNESS RESPONSE PLAN (cont'd)

4. Emergency Training Plan for Coming Year

Training on Emergency Response Plan and Procedures provided to facility key contacts.

Target Date (dd-mmm-yyyy)	Print Name of Training Provider:
1	Print Name of Instructor:
Target Date (dd-mmm-yyyy)	Print Name of Training Provider:
	Print Name of Instructor:
Target Date (dd-mmm-yyyy)	Print Name of Training Provider:
	Print Name of Instructor:

Training on the facility's Emergency Management Procedures provided to staff.

Target Date (dd-mmm-yyyy)	Print Name of Training Provider:
	Print Name of Instructor:
Target Date (dd-mmm-yyyy)	Print Name of Training Provider:
	Print Name of Instructor:
Target Date (dd-mmm-yyyy)	Print Name of Training Provider:
	Print Name of Instructor:

On-site specific training provided to certificate holders / persons with Records of Training.

Target Date (dd-mmm-yyyy)	Print Name of Training Provider: SUPERIOR PROPANE
10-10-2021	Print Name of Instructor: HUGH SUTHERLAND
Target Date (dd-mmm-yyyy)	Print Name of Training Provider:
	Print Name of Instructor:
Target Date (dd-mmm-yyyy)	Print Name of Training Provider:
	Print Name of Instructor:

Declaration: I am aware that it is an offence to give false information in this document and I hereby declare that the information I have given here is true and complete.

Name of person completing this form (please print)	Official Title
JOLLY THIND	DIRECTOR
Signature	Telephone No. Date (dd-mmm-yyyy)
	647-405-7741 10-10-2018



Technical Standards and Safety Authority
 345 Carlingview Drive
 Toronto, Ontario M9W 6N9
 Tel: 416.734.3300
 Fax: 416.231.4078
 Customer Service: 1.877.682.8772
 propane@tssa.org
 www.tssa.org

Level 1 Risk and Safety Management Plan (RSMP)
Technical Standards and Safety Act
 Propane Storage and Handling Regulation

SECTION B: EMERGENCY AND PREPAREDNESS RESPONSE PLAN (cont'd)

The licence holder will complete Section B in consultation with the local Fire Services.

5. Emergency Response Communications Plan

Warnings and Actions

Describe who gives warnings to whom, and how and when the warning will be given (including public notification as appropriate).
 SITE EMPLOYEES TO FOLLOW EMERGENCY RESPONSE PLAN - CALL 911 IN CASE OF EMERGENCY

Describe what action is to be taken and by whom when a warning is issued (including details of a meeting place in a safe identified area and activating the evacuation plan, if necessary).

SITE STAFF WILL FOLLOW THE EMERGENCY SITE PLAN. STAFF WILL CONTACT JOLLY OR MANAGER ON STAFF AND MEET AT THE MUSTER POINT CIBC AT THE CORNER OF MARTINGROVE & REXDALE BLVD

Communication with Emergency Response Authorities

Describe when and how the licence holder will give early warning to emergency response authorities (including a process to ensure that a call is placed to 911).

STAFF WILL BE ANNUALLY TRAINED TO FOLLOW EMERGENCY RESPONSE PLAN - PLAN WILL BE POSTED NEAR THE CASH REGISTER
 ALL STAFF WILL SIGN THE ANNUAL TRAINING DOCUMENT YEARLY - ALL STAFF TO CALL 911 IN AN EMERGENCY
 24/7 CARD LOCK CUSTOMERS ARE TRAINED FOR SITE EMERGENCY - HIT THE E-STOP AND CALL 911

Describe provisions for fire department entry when there are no operations or staffing at the propane site.

SITE ACCESS IS OPEN 24/7
 FIRE DEPARTMENT ARE TO HIT THE E-STOP AT THE TANK OR AT THE REMOTE ESTOP AT THE BUILDING IN CASE OF EMERGENCY

Describe how the licence holder will ensure continual flow of updated information to authorities.

AS PER THE EMERGENCY RESPONSE PLAN - SITE STAFF WILL UPDATE AUTHORITIES UNTIL JOLLY CAN GET ONSITE AND BECOMES LIASON TO EMERGENCY RESPONDERS

How long will it take the facility liaison person to respond to the site.

APPROXIMATELY 20 MINUTES TO THE SITE

Declaration: I am aware that it is an offence to give false information in this document and I hereby declare that the information I have given here is true and complete.

Name of person completing this form (please print) JOLLY THIND	Official Title DIRECTOR
Signature 	Telephone No. 647-405-7741
	Date (dd-mmm-yyyy) 10-10-2018



Technical Standards and Safety Authority
 345 Carlingview Drive
 Toronto, Ontario M9W 6N9
 Tel: 416.734.3300
 Fax: 416.231.4078
 Customer Service: 1.877.682.8772
 propane@tssa.org
 www.tssa.org

Level 1 Risk and Safety Management Plan (RSMP)

Technical Standards and Safety Act
 Propane Storage and Handling Regulation

SECTION B: EMERGENCY AND PREPAREDNESS RESPONSE PLAN (cont'd)

The licence holder will complete Section B in consultation with the local Fire Services.

6. Building and Site Security and Procedures

- | | Yes | No |
|---|-------------------------------------|--------------------------|
| 1. Does the propane location have controlled access to limit unnecessary risk and entry (lock out procedures)? | <input checked="" type="checkbox"/> | <input type="checkbox"/> |
| 2. Is there adequate night lighting at the site? | <input checked="" type="checkbox"/> | <input type="checkbox"/> |
| 3. Are procedures in place that ensure access routes, aisles, storage area, filling areas and the grounds are kept clear from unwanted materials? | <input checked="" type="checkbox"/> | <input type="checkbox"/> |
| 4. Are there procedures that capture and record the daily inspection of hoses and inspection requirements for filling systems and mechanical devices used in the transfer of propane? | <input checked="" type="checkbox"/> | <input type="checkbox"/> |
| 5. Does the facility have procedures that include a process to isolate and purge any overfilled propane cylinders? | <input checked="" type="checkbox"/> | <input type="checkbox"/> |
| 6. Are weighing systems validated for accuracy? | <input checked="" type="checkbox"/> | <input type="checkbox"/> |
| 7. Are storage areas clearly marked with the vessels' capacity status (i.e., filled, empty, purged and other hazardous materials)? | <input checked="" type="checkbox"/> | <input type="checkbox"/> |
| 8. Are quality assurance procedures in place to ensure that all valves are closed after the propane cylinders are filled?(e.g., QCC valves) | <input checked="" type="checkbox"/> | <input type="checkbox"/> |
| 9. Is the schedule of maintenance and testing activities retained on site? | <input checked="" type="checkbox"/> | <input type="checkbox"/> |

7. Water Supply

The propane licence holder should work with the local fire department to determine water supply capabilities that are available based on the propane facility's location.

- | | Yes | No |
|---|-------------------------------------|--------------------------|
| 1. Is a pressurized water system available at the propane facility site? | <input checked="" type="checkbox"/> | <input type="checkbox"/> |
| 2. Can the municipal fire department pump 375 GPM (1420 LPM) of water at this location? | <input checked="" type="checkbox"/> | <input type="checkbox"/> |
| 3. What is the unobstructed distance to the closest water supply that could be used for firefighting activities? (distance in metres only) | <u>97 METERS</u> | |
| 4. What is the unobstructed distance to the closest approved water supply with year round access if there are no hydrants? (distance in metres only) | <u>N/A</u> | |

Declaration: I am aware that it is an offence to give false information in this document and I hereby declare that the information I have given here is true and complete.

Name of person completing this form (please print) JOLLY THIND	Official Title DIRECTOR	
Signature 	Telephone No. 647-405-7741	Date (dd-mmm-yyyy) 10/10/2018



Technical Standards and Safety Authority
 345 Carlingview Drive
 Toronto, Ontario M9W 6N9
 Tel: 416.734.3300
 Fax: 416.231.4078
 Customer Service: 1.877.682.8772
 propane@tssa.org
 www.tssa.org

Level 1 Risk and Safety Management Plan (RSMP)
Technical Standards and Safety Act
Propane Storage and Handling Regulation

SECTION B: EMERGENCY AND PREPAREDNESS RESPONSE PLAN (cont'd)

The licence holder will complete Section B in consultation with the local Fire Services.

8. Licence holder and local Fire Services Review

To be completed by the Local Fire Services

Has the local fire service had an opportunity to review the Emergency Response and Preparedness Plan?

Yes	No
<input checked="" type="checkbox"/>	<input type="checkbox"/>

If not, please explain (e.g., no fire services).

Fire services comments, if any:

To be completed by the Licence Holder

In response to the above comments, the following action(s) is required:

The licence holder will respond to the Local Fire Services comments by: _____

(dd-mmm-yyyy)

LOCAL FIRE SERVICES

The undersigned has reviewed Section B of the Risk and Safety Management Plan Fire Services.

Print name	Signature	Date (dd-mmm-yyyy)
Local Fire Services Name GORDON CHABOT		3/12/18

TORONTO FIRE SERVICES

Declaration: I am aware that it is an offence to give false information in this document and I hereby declare that the information I have given here is true and complete.

Name of person completing this form (please print) JOLLY THIND	Official Title DIRECTOR
Signature 	Telephone No 647-405-7741
	Date (dd-mmm-yyyy) 10-10-2018



Technical Standards and Safety Authority
 345 Carlingview Drive
 Toronto, Ontario M9W 6N9
 Tel: 416.734.3300
 Fax: 416.231.4078
 Customer Service: 1.877.682.8772
 propane@tssa.org
 www.tssa.org

Level 1 Risk and Safety Management Plan (RSMP)
Technical Standards and Safety Act
 Propane Storage and Handling Regulation

SECTION C: SUBMISSIONS

Applicant must include a Facility Site Plan and Map of Surrounding Area

Facility Site Plan.

The licence holder will submit a copy of the original facility site plan updated with the following information:

1. The storage location of fixed, portable, and mobile vessels.
2. The maximum volume, types and storage location of hazardous materials.
3. Location of permanent structures on site.
4. Access and egress points and location of barriers.
5. Location of fire and emergency equipment (e.g., sprinkler systems, extinguishers, suppression systems) on site and location of fire hydrant or water supply where available.
6. Location of emergency shut off/shut down switches/valves.

Map of Surrounding Area.

The licence holder will submit a scaled aerial map of the surrounding area showing the following information:

7. The capacity and placement of the single largest propane storage vessel, including its setback from the front, rear and side property lines.
8. GPS co-ordinates of the single largest vessel.
9. Visual indication of the single largest fixed vessel and a circle made using the distance in Table 1 as the radius from the single largest fixed vessel.
10. Clear indication of the municipality or municipalities present within the circle.
11. Visual indication of property line information.
12. The location and name of roads within or abutting the site.
13. Key note to the drawing indicating the facility's municipal address, municipal lot number(s) and concession lines as applicable, and the date the map was prepared.
14. Address and contact information for each municipality (municipal clerk or secretary-treasurers of planning board). (Refer to page 5.)
15. Complete "Required Mapping Information from Updated Site Plan" in table below.

Required Mapping Information from Updated Site Plan

Date map prepared (dd-mmm-yyyy) 24-03-2012	Capacity of single largest propane storage vessel (USWG) 5000 USWG
Tank setback coordinates. Indicate placement on the map.	
Front: <u>108.54 METERS</u>	Right side property line: <u>11.30 METERS</u>
Rear: <u>30.54 METERS</u>	Left side property line: <u>27.82 METERS</u>
GPS coordinates of single largest vessel: <u>43°42'47.21"N 79°34.55'97"W</u>	

Declaration: I am aware that it is an offence to give false information in this document and I hereby declare that the information I have given here is true and complete.

Name of person completing this form (please print) JOLLY THIND	Official Title DIRECTOR
Signature 	Telephone No. 416-405-1171
	Date (dd-mmm-yyyy) 10-10-2018



Technical Standards and Safety Authority
 345 Carlingview Drive
 Toronto, Ontario M9W 6N9
 Tel: 416.734.3300
 Fax: 416.231.4078
 Customer Service: 1.877.682.8772
 propane@tssa.org
 www.tssa.org

Level 1 Risk and Safety Management Plan (RSMP)
Technical Standards and Safety Act
 Propane Storage and Handling Regulation

SECTION C: SUBMISSIONS (cont'd)
 Applicant must include a Facility Site Plan and Map of Surrounding Area

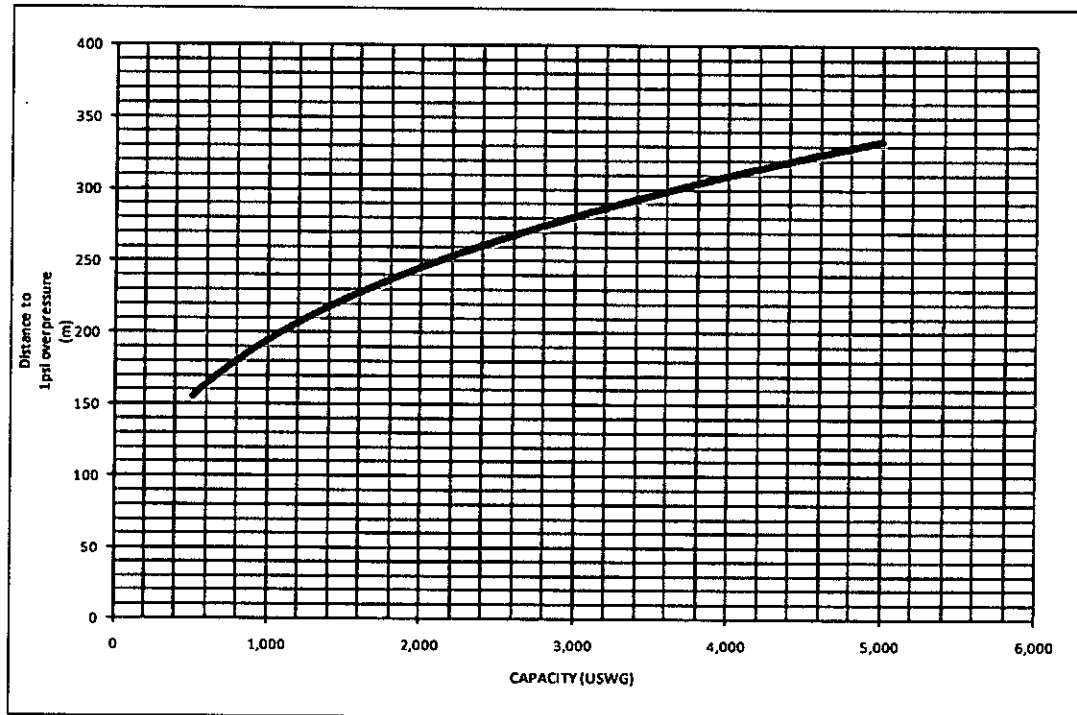
Table 1: Distance Table

Water Capacity (litres)	Nominal Water Capacity (USWG)	Distance to 1 psi overpressure (m)
1,890	500	155
3,780	1,000	195
4,920	1,300	213
6,620	1,750	235
7,130	1,885	241
7,560	2,000	246
18,900	5,000	333

Formula: $D = 16.94 \times (1.524 \times C)^{1/3}$
 D = Distance to overpressure of 1 psi (meters)
 C = Tank Total Capacity in USWG

Parameters: Density of Propane is 0.5033 kg per litre @ 15 C
 Assume all vessels are 80% full
 1 gallon [US, liquid] = 0.003785411784 cubic meter
 1 cubic metre = 264.17 USWG

Hazard Distance Chart (EPA-TNT model)





Technical Standards and Safety Authority
 345 Carlingview Drive
 Toronto, Ontario M9W 6N9
 Tel: 416.734.3300
 Fax: 416.231.4078
 Customer Service: 1.877.682.8772
 propane@tssa.org
 www.tssa.org

Level 1 Risk and Safety Management Plan (RSMP)
Technical Standards and Safety Act
Propane Storage and Handling Regulation

SECTION C: SUBMISSIONS (cont'd)

Applicant must include a Facility Site Plan and Map of Surrounding Area

As an accompaniment to the Map of Surrounding Area, provide the following information about buildings and features present within the circle in Table 2.

Table 2: Buildings and Features

Buildings and Features Present within the Circle on the Map of the Surrounding Area AND Name and Address of Closest Building or Feature	* Number of Buildings and Features (mark with an "X")				Distance from Tank to Closest Building or Feature
	0	1	2-10	11+	
Industrial buildings or parks or golf courses Name: <u>ACADIAN PLATERS CO LIMITED</u> Address: <u>315 REXDALE BLVD</u> City: <u>ETOBICOKE</u> Province <u>ONTARIO</u> Postal Code <u>M9W 1R8</u>			X		<u>50</u> m
[REDACTED]			X		<u>120</u> m
Commercial building units specifically retail, restaurants, entertainment, theatres, and sporting complexes. Name: <u>CITY AUTOMOTIVE SALES & LEASING</u> Address: <u>301REXDALE BLVD</u> City: <u>ETOBICOKE</u> Province <u>ONTARIO</u> Postal Code <u>M9W 1R8</u>		X			<u>20</u> m
Commercial building units – continuous occupancy specifically hotels, campgrounds, and resorts. Name: <u>WOODBINE HOTEL & SUITES</u> Address: <u>30 VICE REGENT BLVD</u> City: <u>ETOBICOKE</u> Province <u>ONTARIO</u> Postal Code <u>M9W 1R8</u>		X			<u>664</u> m
Sensitive institutions specifically hospitals, schools and day cares, nursing and retirement homes, mental health institutions, and prisons. Name: _____ Address: _____ City: _____ Province _____ Postal Code _____	X				<u>N/A</u> m
Emergency responders specifically fire stations, ambulance stations, and police stations. Name: <u>TORONTO FIRE SERVICES</u> Address: <u>615 Royal York Rd</u> City: <u>ETOBICOKE</u> Province <u>ONTARIO</u> Postal Code <u>M8Y 2S8</u>	X				<u>2400</u> m

* For multi-unit buildings, count each unit as "1".

Declaration: I am aware that it is an offence to give false information in this document and I hereby declare that the information I have given here is true and complete.

Name of person completing this form (please print) JOLLY THIND	Official Title DIRECTOR	
Signature 	Telephone No. 647-405-7741	Date (dd-mmm-yyyy) 10-10-2018



Technical Standards and Safety Authority
 345 Carlingview Drive
 Toronto, Ontario M9W 6N9
 Tel: 416.734.3300
 Fax: 416.231.4078
 Customer Service: 1.877.682.8772
 propane@tssa.org
 www.tssa.org

Level 1 Risk and Safety Management Plan (RSMP)
Technical Standards and Safety Act
 Propane Storage and Handling Regulation

WORKSHEET

Portable Storage Additional Information Worksheet

Cylinder Size	Capacity in USWG	Quantity	Total Volume in USWG
# 420	123.9		
# 100	29.5		
# 40	11.75		
# 33.3	9.62		
# 30	8.8		
# 20	5.8	24	139.2
# 10	2.9		
# 5	1.5		
Total Cylinder Capacity			139.2

Tanks Stored On-site Not Connected for Use

Tank Size in USWG	Quantity	Total Volume in USWG
Total Tank Capacity		0

Total Cylinder Capacity	139.2
Total Tank Capacity	5000
Total Portable Capacity (Total Cylinder Capacity + Total Tank Capacity)	

POPULAR CAR WASH
**305 REXDALE BLVD.
 TORONTO ON**



BRANCH STANDARD 9 INFO

Area A	1,267 sq.ft
Area B	0.0 sq.ft.
Area C	69,296 sq.ft.
Area D	4,700 sq.ft.
Area E	1,267 sq. ft
Area F	78,696 sq. ft.


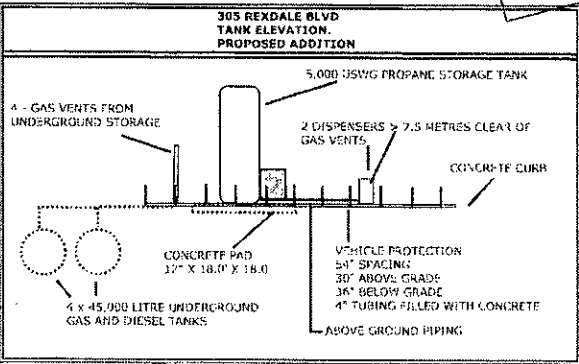
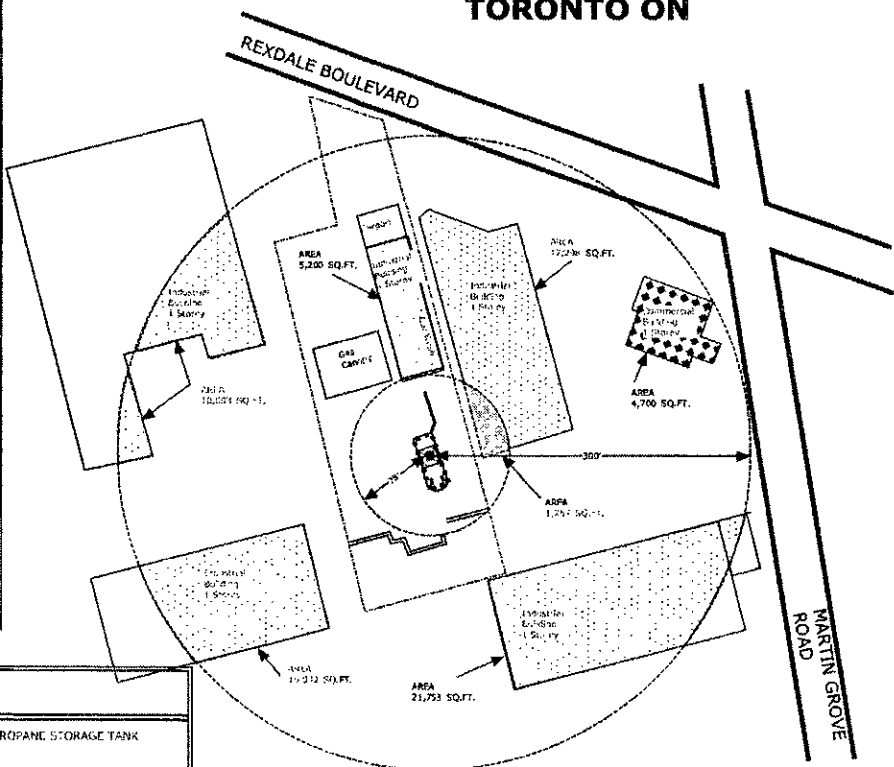
A/G Tank Area

a) Schools/300'	None
b) Resident/25'	None
c) E+(.1 x F)	9,136.6 sq. ft.

Buried Tank N/A

Vehicle Conversion N/A

PREPARED BY:
 BEATTY PETROLEUM CONSULTING INC.
 182 GEORGE ST.
 ARTHUR ON N0G 1A0

- SCALE: 1"=144"
- EXISTING 5,000 USWG TANK
 - CONCRETE PAD
 - VEHICLE PROTECTION
 - PROPANE DISPENSERS
 - === WOODEN FENCE
 - - - PROPERTY LINE CW CHAIN LINK EXCEPT ON FRONTAGE

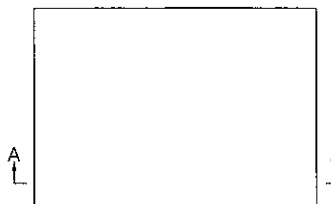
BILL OF MATERIAL

ITEM	QTY.	MANUFACTURER	MODEL No.	PART DESCRIPTION	UL LISTED
1	2	EMERSON OR E&H	F050S239CCAEZ7ZZZ OR 8FE15-ACW5AANAB1NN	3/4" METER, CORIOLIS, MASS MEASUREMENT	✓
2	2	REGO or MEC	32372G or MEB80-6/28	3/4" EXCESS FLOW VALVE	✓
3	2	ASCO	HV2267871	3/4" SOLENOID, EX-PROOF	✓
4	2	PARKER CONTITECH	7132 103236661	3/4" HOSE x 12" LONG	✓
5	2	REGO	A2141A62	3/4" BREAKAWAY	✓
6	2	PARKER or CONTITECH	7132 103236661	3/4" HOSE, 6' - 12' LONG	✓
7	2	GASGUARD OR STAUBLI	GG205 OR GPV 14	AUTO FUEL NOZZLE	✓
8	2	RELIABLE OIL	M05912A001	NOZZLE BOOT	✓
9	2	RUB	S92B47	BALL VALVE, 600# WOG, 1/4" MNPT/FNPT, BRONZE	✓
10	2	MEC	MEH225	1/4" RELIEF VALVE SET @ 440 PSI +/- 5%	✓
11	1	APOLLO	59-005	1" STRAINER, FNPT, BRONZE	✓
12	2	FLAGRO	S52131/2-2	HOSE ASSEMBLY TAG	
13	-	-	-	-	
14	-	-	-	-	

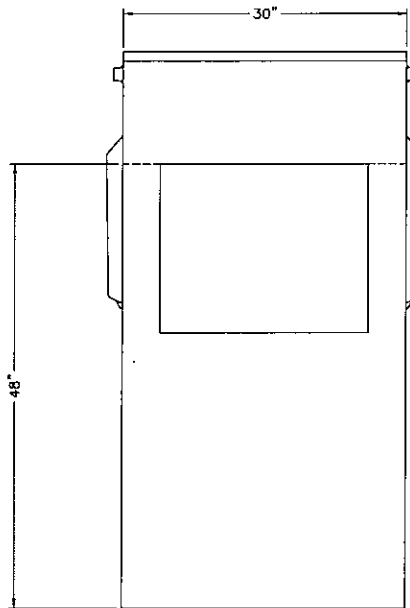
Notes:

- NFPA 30A Excludes Propane and Butane vehicle refueling dispensers Section 1.1.2.
- NFPA 70 The National Electrical Code Section 500.4 shows that NFPA 58 sets the electrical classified area
- NFPA 58 Table 6.22.2.2 Electrical Area Classification Part G
- NFPA 58 Table 6.5.3 Distance Between Point of Transfer and Exposure
Part F refers to space from LG-Gas dispensing as 10' from Public ways including Public streets, highways, thoroughfares and sidewalks. *If the dispenser is installed in a gas station the paved areas in the gas station are not considered Public Streets etc. However if there is a public side walk the dispenser will have to meet this spacing requirement.*
- NFPA 58 section 6.24.4.1 Installation of Vehicle Fuel Dispensers
- NFPA 58 section 6.24.4.3 Section 1 & 2 low emission nozzle allows spacing for other dispensers (gasoline & diesel) to be reduced to 5'

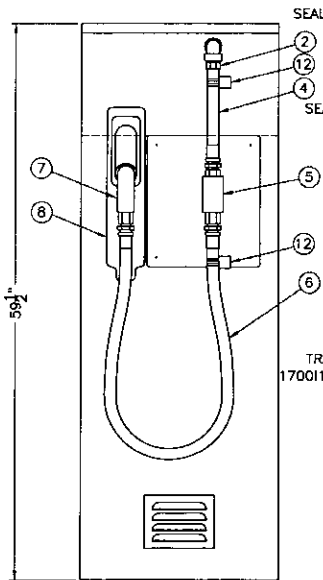
Note: Alliance Auto Gas dispensers use a low emission 2 CC filling nozzle.



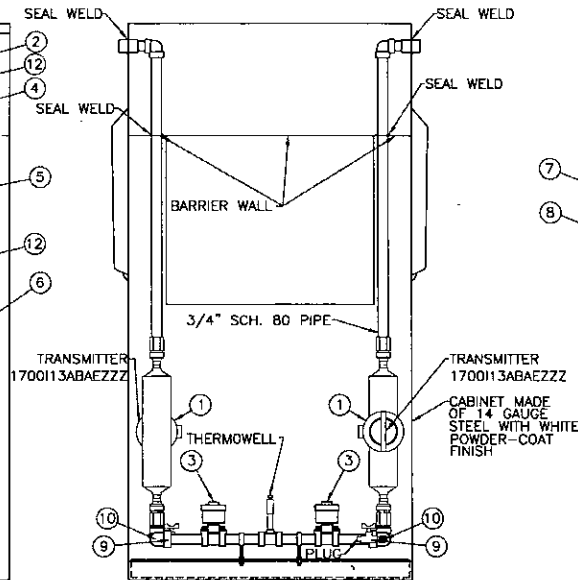
TOP VIEW



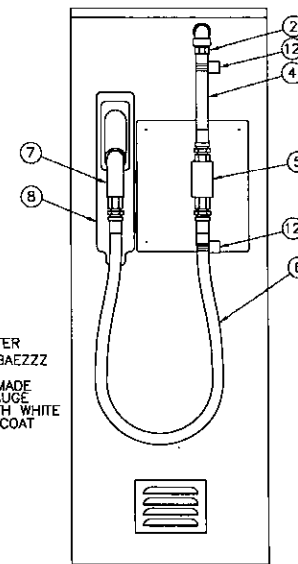
BACK VIEW



LEFT SIDE VIEW



FRONT VIEW SECTION A-A



RIGHT SIDE VIEW

- NOTES: 1) BUILT IN COMPLIANCE WITH UL 495
2) PIPE WELDING PERFORMED BY PERSONNEL CERTIFIED UNDER ASME SECTION IX

						SUPERIOR ENERGY SYSTEMS LTD. 13660 North Division Rd., Columbia Station (Cleveland), Ohio 44128 USA <small>THE INFORMATION AND DATA CONTAINED HEREIN ARE PREPARED BY SUPERIOR ENERGY SYSTEMS LTD. AND ARE NOT TO BE RELYED UPON BY OTHERS IN WHOLE OR IN PART, WITHOUT THE PRIOR WRITTEN CONSENT OF SUPERIOR ENERGY SYSTEMS LTD.</small>	
E	REVISED BOM	4/30/18	BSD	CSA DISPENSER		3'-1"	BSD
B	REVISED BOM	8/15/18	BSD	MASSFLOW METER			BSD
A	INITIAL RELEASE	2/24/18	BSD	PROPANE DOUBLE SIDED DISPENSER PIPING DETAILS			
NO.	REVISION	DATE	BY	APPROVED BY	DATE	SCALE	REVISED BY
		2/24/16					PAFD-CSA-DMF D C