



Fuels Safety Program	Ref. No.: FS – 140 - 08	Rev. No.:
ADVISORY	Date: November 24, 2008	Date:

Subject: Wolf Steel Ltd.– Propane-Fired Direct Vent Fireplace Inserts
Models: GDI-44 & CDI-44 Series

Sent to: Wolf Steel Ltd.
Intertek – ETL Semko
TSSA Propane Council
TSSA Propane Risk Reduction Group
Posted on TSSA’s Web-Site
Ontario Propane Association (OPA)

This is a follow-up to the Director’s Order FS-139-08 dated June 9, 2008. The director’s order requires the following:

1. The following Wolf Steel Ltd. products shall not be sold, leased, rented, installed or used in Ontario. Any fireplaces currently in operation shall have their fuel supply terminated:
 - (a) Propane-Fired Direct Vent Fireplace Inserts – Model GDI-44 Series,
 - and
 - (b) Propane-Fired Direct Vent Fireplace Inserts – Model CDI-44 Series

TSSA has received confirmation from Intertek Testing (Warnock Hersey) that an approved retro-fit (upgrade) kit is available and all newly produced fireplaces will incorporate this feature. These new fireplaces are identified by model numbers GDI-44-1 and CDI-44-1.

All currently installed fireplaces shall be retrofitted with this kit prior to the fireplace being reconnected to the fuel supply. The installation shall be in accordance with the approved retrofit (upgrade) installation instructions, see attached. All work related to the installation and reactivation shall be done by an appropriate certificate holder.

For Consumers



October 2, 2008

**Important Safety Notice Regarding Napoleon Propane GDI44
Gas Inserts
Immediate Action required
Natural Gas GDI44 Inserts are NOT affected**

Dear Customer,

Wolf Steel Ltd. has determined that, under abnormal conditions, the GDI44 propane model insert maybe unable to withstand the pressure created from the ignition of an accumulated amount of propane gas. This may result in the shattering of the glass window, which presents the risk of burns or cuts from the broken glass.

While we are only aware of one single incident where the glass did break, out of concern for our Customers' welfare and safety, we ask that you discontinue using your GDI44 Propane Gas Insert and immediately contact your dealer. They will need to set up an appointment so that they can inspect your propane insert and install an upgrade kit. This service should take approximately 10 minutes and will be conducted at no cost to you.

We very much regret the concern and inconvenience that this may cause you, our Customer. As a manufacturer of superior quality products we are committed to designing and producing products that provide the highest level of safety and comfort available, for our Customers. Thank you for your cooperation in this matter.

UPGRADE KIT GDI-44P

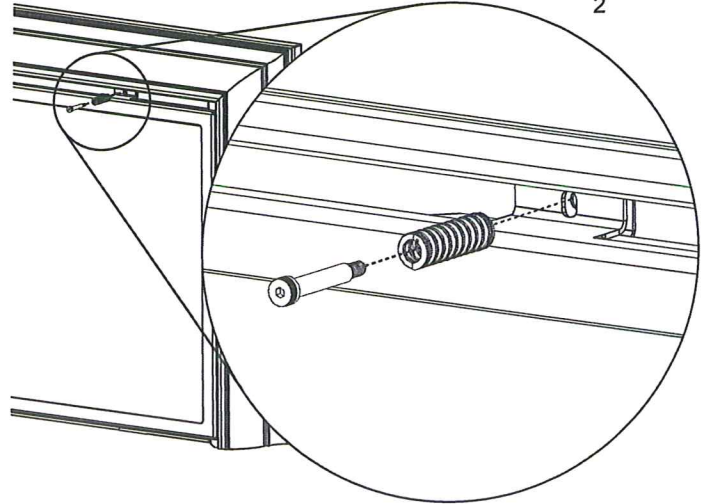
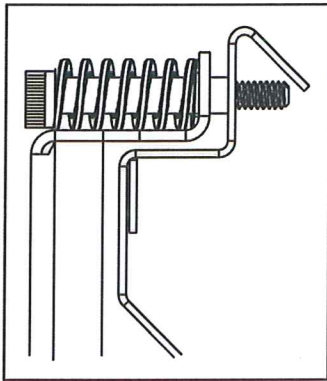
⚠ WARNING

ENSURE THE UNIT IS COMPLETELY COOL BEFORE STARTING INSTALLATION

As an added safety feature, these components have been incorporated into the design of the fireplace. Please retain these instructions with your manual for future reference when cleaning the glass.

PART #	DESCRIPTION	QTY
W570-0136	SHOULDER SCREW	2
W630-0017	SPRING	2

1. Remove the two #10-24 screws from the top of the door and discard.
2. Re-secure the door by screwing the shoulder screws through the springs as illustrated. Tighten using a 1/8" hex key.



PLEASE CHECK BOXES AFTER CHECKING THE VALVE

VALVE SAFETY

- With the door open, blow out the pilot flame. Check to make sure the safety drops out within 30 seconds.
- Next, hold an open flame to the pilot burner to determine if there is any gas flow.
- If there is sufficient gas flow to maintain a flame, notify Wolf Steel. Otherwise, check the OK box.

OK NOT OK

DOOR SEAL

Check visually that there is a seal between the firebox and the door gasket on both the right and left side of the door. The door gasket should be tight against the metal without any gap in between. If it does not form an effective seal, notify Wolf Steel. Otherwise, check the OK box.

OK NOT OK

Dealer Name/Account #: _____

Customer Name: _____

Customer Address: _____

City: _____

Customer Telephone #: _____

GDI-44 Serial #: _____

Technician's Signature: _____ Date: _____



W415-0735 / A / 10.02.08